

K-No.: 26334

1000 A Current Sensor for $\pm 24V$ - Supply Voltage
Date: 10.04.2014

 for electric current measurement:
 DC, AC, pulsed, mixed ..., with a galvanic isolation between
 primary circuit (high power) and secondary circuit (electronic circuit)

Customer: Standard Type

Customer part no.:
Page 1 **of** 6

Electrical Data – Ratings

I_{PN}	Primary nominal r.m.s. current	1000	A
R_M^*	Measuring resistance	0 ... 100	Ω
I_{SN}	Secondary nominal r.m.s. current	200	mA
K_N	Turns ratio	(1): 5000	

 * for $I_{P,max}$ see fig. 1 on page 2

Accuracy – Dynamic performance data

		min.	typ.	max.	Einheit
$I_{P,max}^*$	Max. measuring range @ $R_M = 10 \Omega$; $T_A = 25^\circ C$	2500			A
	@ $R_M = 10 \Omega$; $T_A = 85^\circ C$	2150			A
X	Accuracy @ I_{PN} , $T_A = -40 \dots +85^\circ C$			0.4	%
ϵ_L	Linearity			0.1	%
I_0	Offset current @ $I_P = 0$, $T_A = 25^\circ C$			0.1	mA
I_{0H}	Hysteresis current			0.1	mA
t_r	Response time @ 80% of I_{PN}		< 1		μs
$\Delta t (I_{P,max})$	Delay time at $di/dt = 1200 A/\mu s$			1	μs
f	Frequency bandwidth	DC...100			kHz

 *currents with high slew rates can be measured above $I_{P,max}$
General data

		min.	typ.	max.	Einheit
T_A	Ambient operating temperature	-40		+85	$^\circ C$
T_S	Ambient storage temperature	-40		+85	$^\circ C$
m	Mass		550		g
V_C	Supply voltage	± 21.60	± 24	± 25.2	V
I_{C0}	Current consumption for $I_P = 0A$		27		mA
I_{CN}	Current consumption for $I_{PN} = 1000A$		190		mA
* S_{clear}	Clearance	20			mm
* S_{creep}	Creepage	20			mm

 * Constructed and manufactured and tested in accordance with EN 61800-5-1 (Pin 1 - 4 to primary opening)
 Reinforced insulation, Insulation material group 1, Pollution degree 2

* V_{sys}	System voltage	overvoltage category 3	RMS	1000	V
* V_{work}	Working voltage	(tabel 7 acc. to EN61800-5-1)	RMS	1500	V

* U_{PD}	Rated discharge voltage	peak value	1500	V
------------	-------------------------	------------	------	---

 Max. potential difference acc. to UL 508 RMS 1000 V_{AC}

Datum	Name	Index	Änderung
10.04.14	KRe.	83	Completion of data sheet: X, V_C , „max. Potential...“ (page1), Values for supply voltage (page2), maximum continuous currents at defined Temperatures (page2), Applicable documents: on page 5 added and V_d from 4.4 \rightarrow 6kV. CN-988

Hrsg.: KB-E editor	Bearb.: Ockajak designer	KB-PM: KRe. check	freig.: HS released
-----------------------	-----------------------------	----------------------	------------------------

K-No.: 26334

1000 A Current Sensor for $\pm 24V$ - Supply Voltage

Date: 10.04.2014

for electric current measurement:
DC, AC, pulsed, mixed ..., with a galvanic isolation between
primary circuit (high power) and secondary circuit (electronic circuit)

Customer: Standard Type

Customer part no.:

Page 2 of 6

Maximal peak currents at defined temperatures Values for supply voltage $\pm 22.80 V (\pm 24 V -5 \%)$

T _A	55 °C	55 °C	55 °C	55 °C
R _M	1 Ω	5 Ω	20 Ω	50 Ω
I _{P,max}	2880A	2610A	1930A	1270A

T _A	85 °C	85 °C	85 °C	85 °C
R _M	1 Ω	5 Ω	20 Ω	50 Ω
I _{P,max}	2610A	2390A	1810A	1220A

Maximum continuous currents at defined temperatures

T _A	≤ 70 °C	70 °C < T _A ≤ 85 °C
I _P = I _{P,max} up to	1800 A _{rms}	1200 A _{rms}

Limit curve of measurable current $I_P=f(R_M)$ Values for supply voltage $\pm 22.80 V (\pm 24 V -5 \%)$

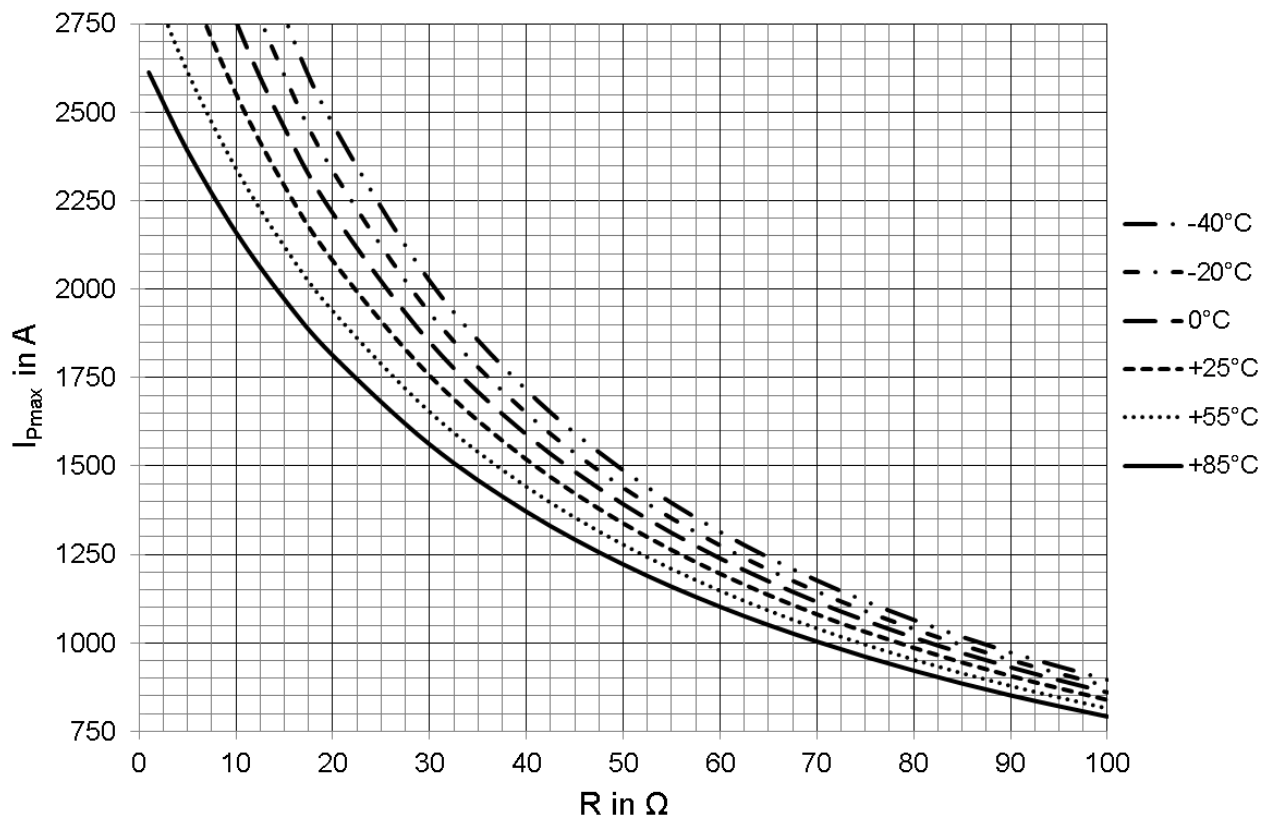


Fig. 1: $I_{P,max} = f(R_M) @T_A$

Hrsg.: KB-E
editor

Bearb.: Ockajak
designer

KB-PM: KRe.
check

freig.: HS
released

K-No.: 26334

1000 A Current Sensor for $\pm 24V$ - Supply Voltage

Date: 10.04.2014

for electric current measurement:
DC, AC, pulsed, mixed ..., with a galvanic isolation between
primary circuit (high power) and secondary circuit (electronic circuit)

Customer: Standard Type

Customer part no.:

Page 3 of 6

Overload puls (μs -range)

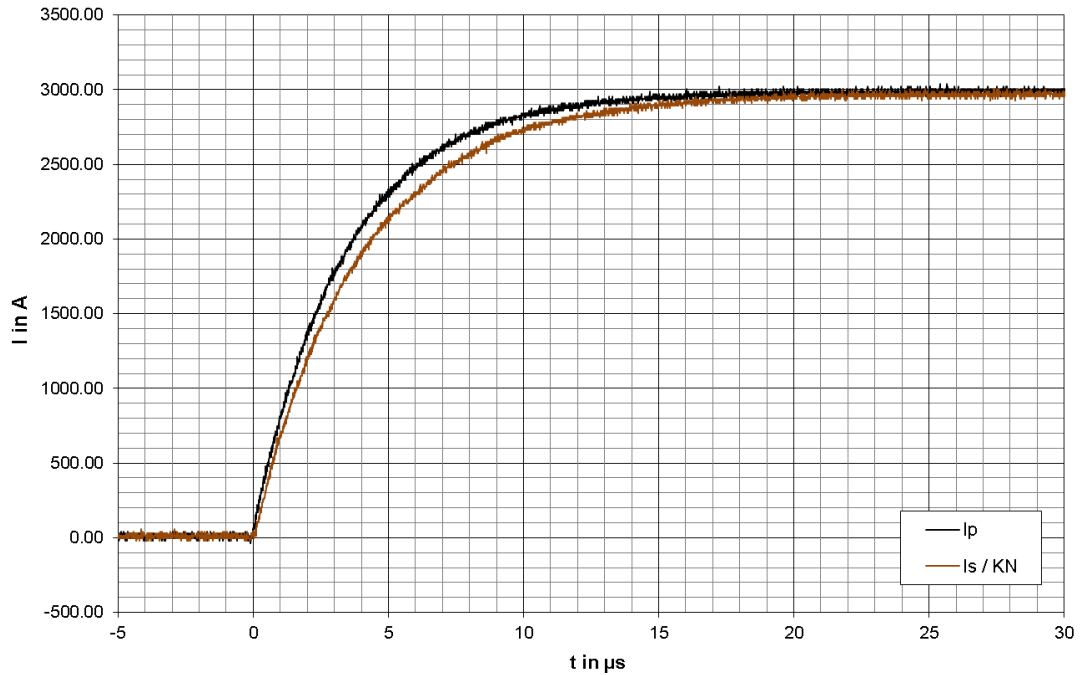
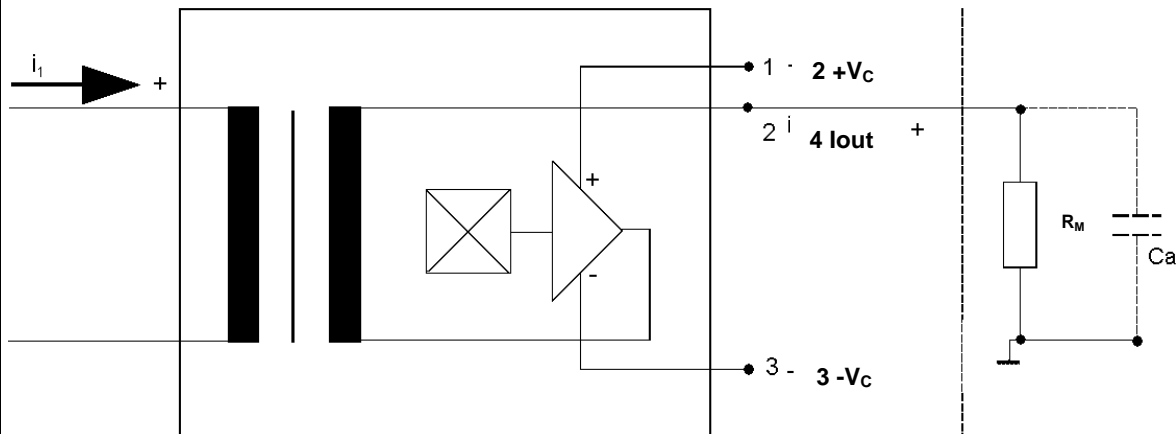


Fig. 2: Output current reaction of a 3kA current pulse with $R_M = 10\Omega$

Schematic diagram:



Hrsg.: KB-E
editor

Bearb.: Ockajak
designer

KB-PM: KRe.
check

freig.: HS
released

K-No.: 26334

1000 A Current Sensor for ±24V- Supply Voltage

Date: 10.04.2014

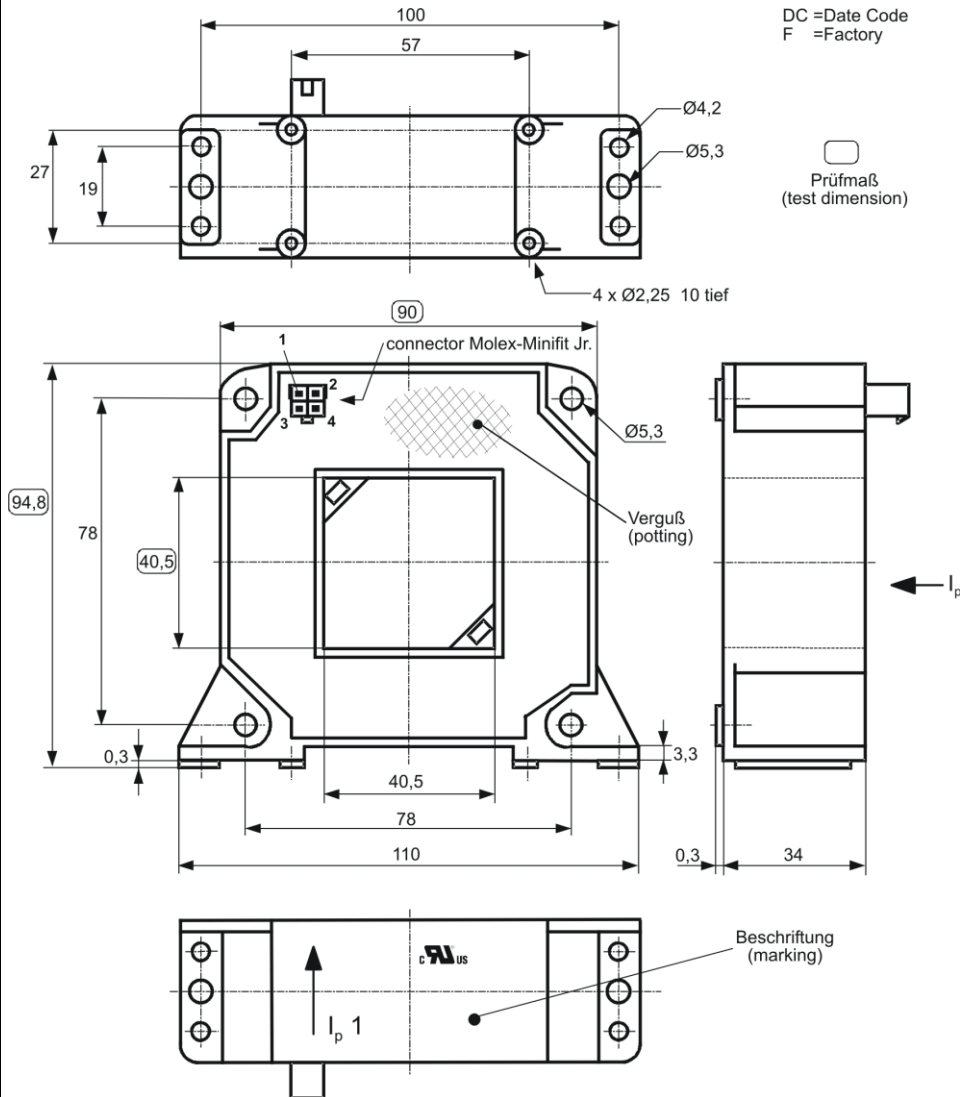
for electric current measurement:
DC, AC, pulsed, mixed ..., with a galvanic isolation between
primary circuit (high power) and secondary circuit (electronic circuit)

Customer: Standard Type

Customer part no.:

Page 4 of 6

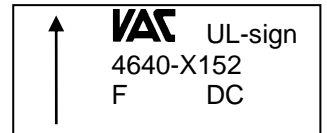
Maßbild (mm): Freimaßtoleranz DIN ISO 2768-c
Mechanical outline General tolerance



Anschlüsse:
Connections:
Connector:
Minifit

Pin 1: n.c.
Pin 2: +V_C
Pin 3: -V_C
Pin 4: I_{Out}

Beschriftung (marking):



¹ I_p: positive current direction

Offset ripple reduction

The offset ripple can be reduced by an external low pass. Simplest solution is a passive low pass filter of 1st order with

$$f_g = \frac{1}{2\pi \cdot R_M \cdot C_a}$$

In this case the response time is enlarged.
It is calculated from:

$$t'_r \leq t_r + 2,5R_M C_a$$

Hrsg.: KB-E
editor

Bearb.: Ockajak
designer

KB-PM: KRe.
check

freig.: HS
released

K-No.: 26334

1000 A Current Sensor for $\pm 24V$ - Supply Voltage
Date: 10.04.2014

 for electric current measurement:
 DC, AC, pulsed, mixed ..., with a galvanic isolation between
 primary circuit (high power) and secondary circuit (electronic circuit)

Customer: Standard Type

Customer part no.:
Page 5 **of** 6

Inspection¹⁾ (Measurement after temperature balance of the samples at room temperature; SC = significant characteristic)

$K_N(N_1/N_2)$	(V)	M3011/6	Transformation ratio ($I_P=3*1000A$, 40-80 Hz)	1 : 5000 \pm 0.4 %
I_0	(V)	M3226	Offset current	< 0.1 mA
$V_{P,eff}$	(V)	M3014	Test voltage, rms, 1s Pin 1 - 3 to Primary	2.2 kV (SC)
V_e	(AQL 1/S4)		Partial discharge voltage acc. M3024 (RMS) with V_{vor} (RMS)	1500 V 1875 V

Type Testing (Pin 1 - 3 to primary)

Designed according standard EN 61800 with insulation material group 1

V_W		HV transient test according (to M3064) (1,2 μs / 50 μs -wave form)	12	kV
V_d		Testing voltage acc. M3014 (RMS)	(5 s) 6	kV
V_e		Partial discharge voltage acc. M3024 (RMS) with V_{vor} (RMS)	1500 1875	V V

Applicable documents

 Constructed and manufactured and tested in accordance with EN 61800.
 Further standards: UL 508 ; file E317483, category NMTR2 / NMTR8

Hrsg.: KB-E
 editor

Bearb.: Ockajak
 designer

KB-PM: KRe.
 check

freig.: HS
 released

K-No.: 26334

1000 A Current Sensor for ±24V- Supply Voltage

Date: 10.04.2014

for electric current measurement:
DC, AC, pulsed, mixed ..., with a galvanic isolation between
primary circuit (high power) and secondary circuit (electronic circuit)

Customer: Standard Type

Customer part no.:

Page 6 of 6

Explanation of several of the terms used in the tablets (in alphabetical order)

I_{0H} : Zero variation after overloading with a DC of tenfold the rated value ($R_M = R_{MN}$)

I_{0t} : Long term drift of I_o after 100 temperature cycles in the range -40 bis 85 °C.

t_r : Response time, measured as delay time at $I_P = 0,8 \cdot I_{Pmax}$ between a rectangular current and the output current.

$\Delta t (I_{Pmax})$: Delay time between I_{Pmax} and the output current i_a with a primary current rise of $di_1/dt = 1200 A/\mu s$.

U_{PD} Rated discharge voltage (recurring peak voltage separated by the insulation) proved with a sinusoidal voltage V_e
 $U_{PD} = \sqrt{2} \cdot V_e / 1,5$

V_{vor} Defined voltage is the RMS value of a sinusoidal voltage with peak value of $1,875 \cdot U_{PD}$ required for partial discharge test in IEC 61800-5-1

$$V_{vor} = 1,875 \cdot U_{PD} / \sqrt{2}$$

V_{sys} System voltage RMS value of rated voltage according to IEC 61800-5-1

V_{work} Working voltage voltage according to IEC 61800-5-1 which occurs by design in a circuit or across insulation

$X_{ges}(I_{PN})$: The sum of all possible errors over the temperature range by measuring a current I_{PN} :

$$X_{ges} = 100 \cdot \left| \frac{I_S(I_{PN})}{K_N \cdot I_{PN}} - 1 \right|$$

X: Permissible measurement error in the final inspection at RT, defined by

$$X = 100 \cdot \left| \frac{I_{SB}}{I_{SN}} - 1 \right|$$

where I_{SB} is the output DC value of an input DC current of the same magnitude as the (positive) rated current ($I_o = 0$)

X_{Ti} : Temperature drift of the rated value orientated output term. I_{SN} (cf. Notes on F_i) in a specified temperature range, obtained by:

$$X_{Ti} = 100 \cdot \left| \frac{I_{SB}(T_{A2}) - I_{SB}(T_{A1})}{I_{SN}} \right|$$

ε_L : Linearity fault defined by $\varepsilon_L = 100 \cdot \left| \frac{I_P}{I_{PN}} - \frac{I_{Sx}}{I_{SN}} \right|$

Where I_P is any input DC and I_{Sx} the corresponding output term. I_{SN} : see notes of F_i ($I_o = 0$).

Hrsg.: KB-E
editor

Bearb.: Ockajak
designer

KB-PM: KRe.
check

freig.: HS
released